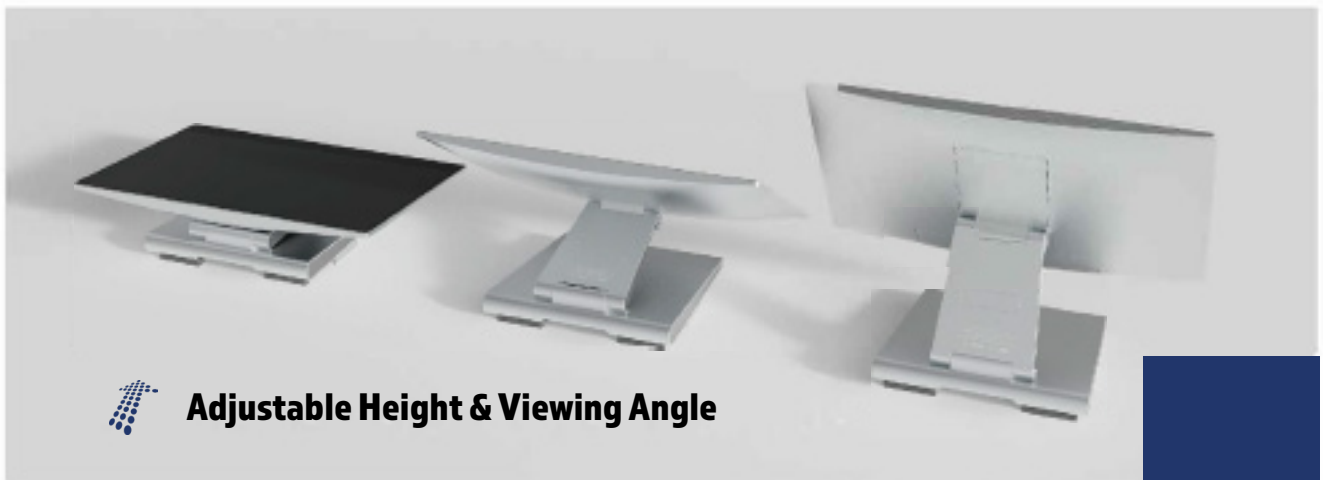
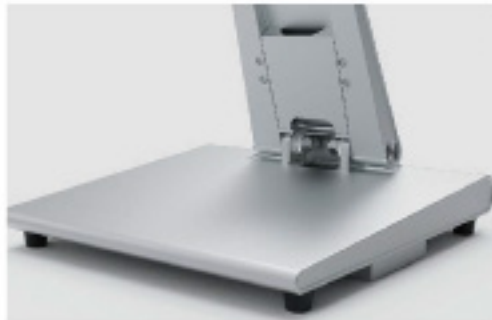




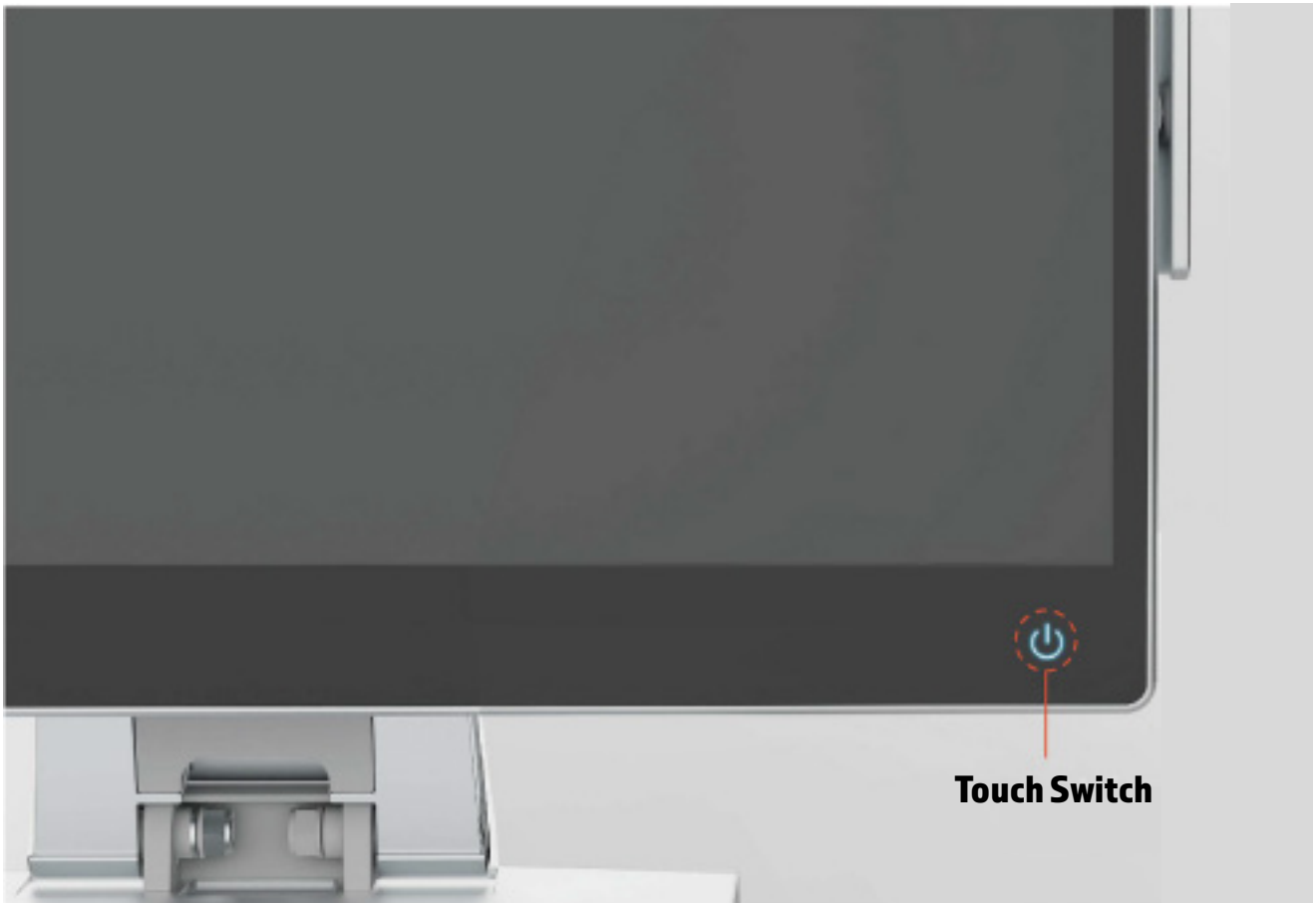
**TDCORE A3-Pro 15.6" Widescreen
EPOS System**



 **Adjustable Height & Viewing Angle**



 **Heavy-Duty Aluminum
Die-Casting Housing**



15.6"

Widescreen (16:9)

1920 x 1080

Resolution

180°

Wide Viewing Angle - FHD IPS Screen

10 Points

Pcap Touch Screen

7H

Scratch Resistant Glass on Pcap Touch



Swappable System Box
with the latest Intel
high-performance
processors



Intel Core i3



Intel Core i5



Improve efficiency
of stock management
and after-sales service

Simplify upgrade
of CPU, RAM and SSD

Unleash System
potential for demanding
POS applications

Save RMA time and
cost

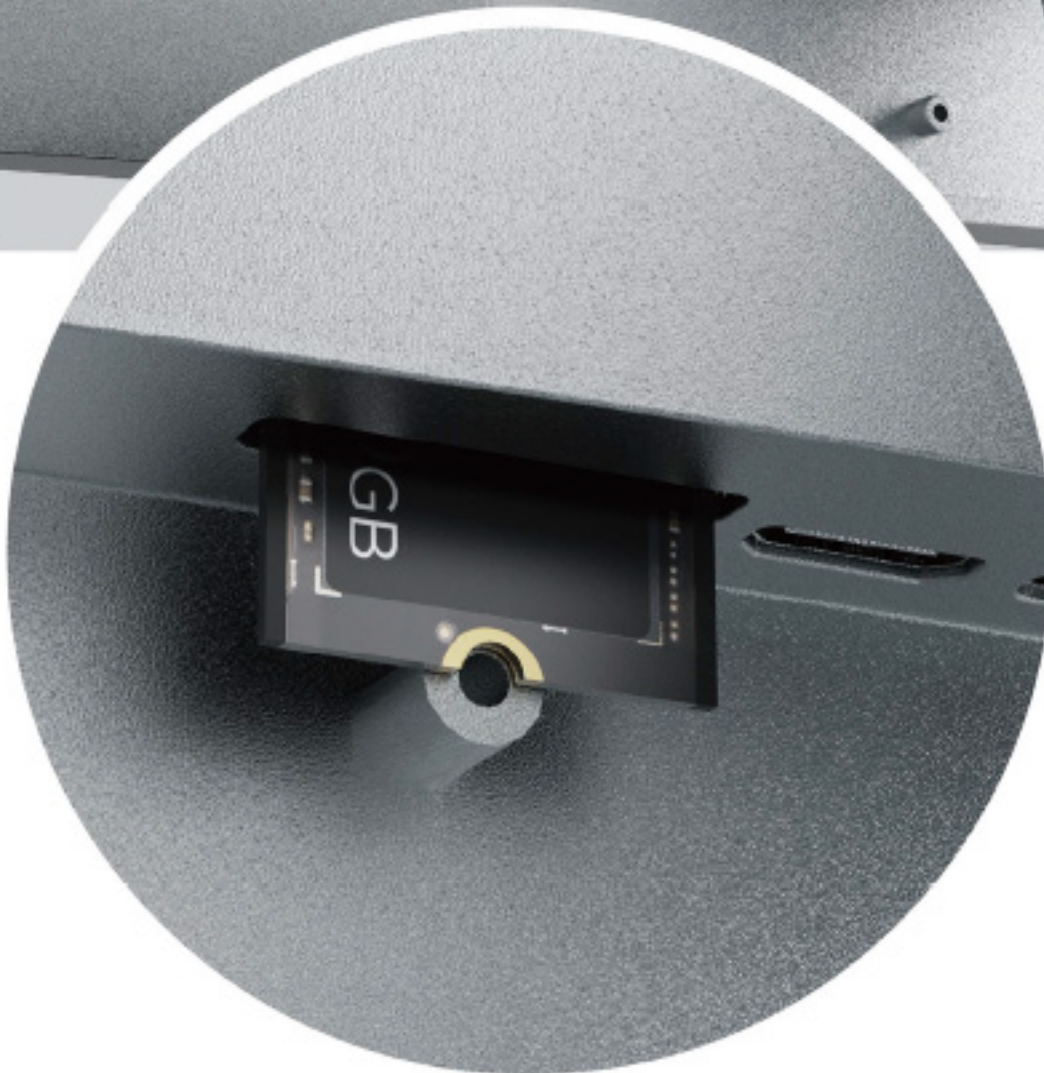


**Complete fan-less design with
unique dimensional heat
dissipation**





Swappable NVME SSD





**Laminated screen with enhanced seal design.
Better display quality, no dusty or foggy screen.
IP65 rating on the front screen.**





VFD



MSR



11.6" Rear Display



i-Button



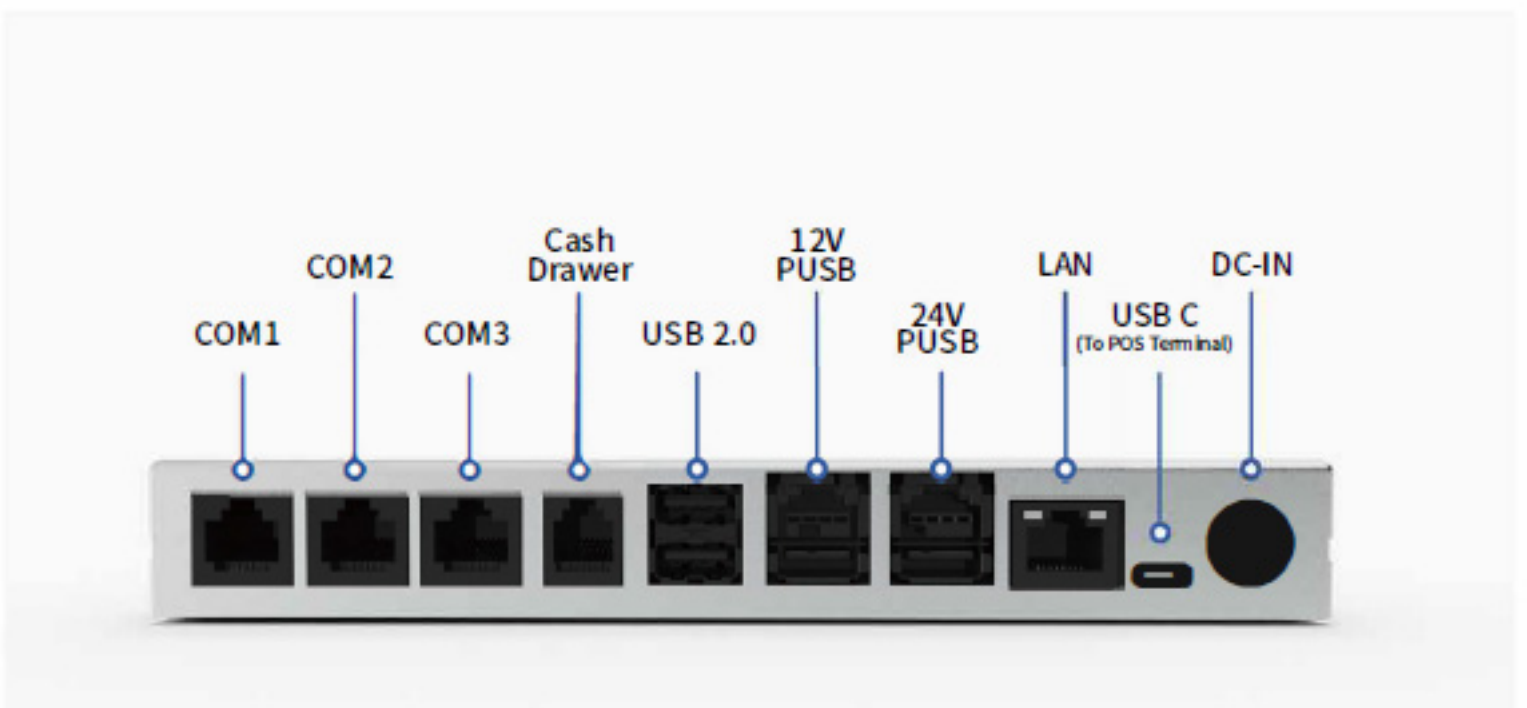
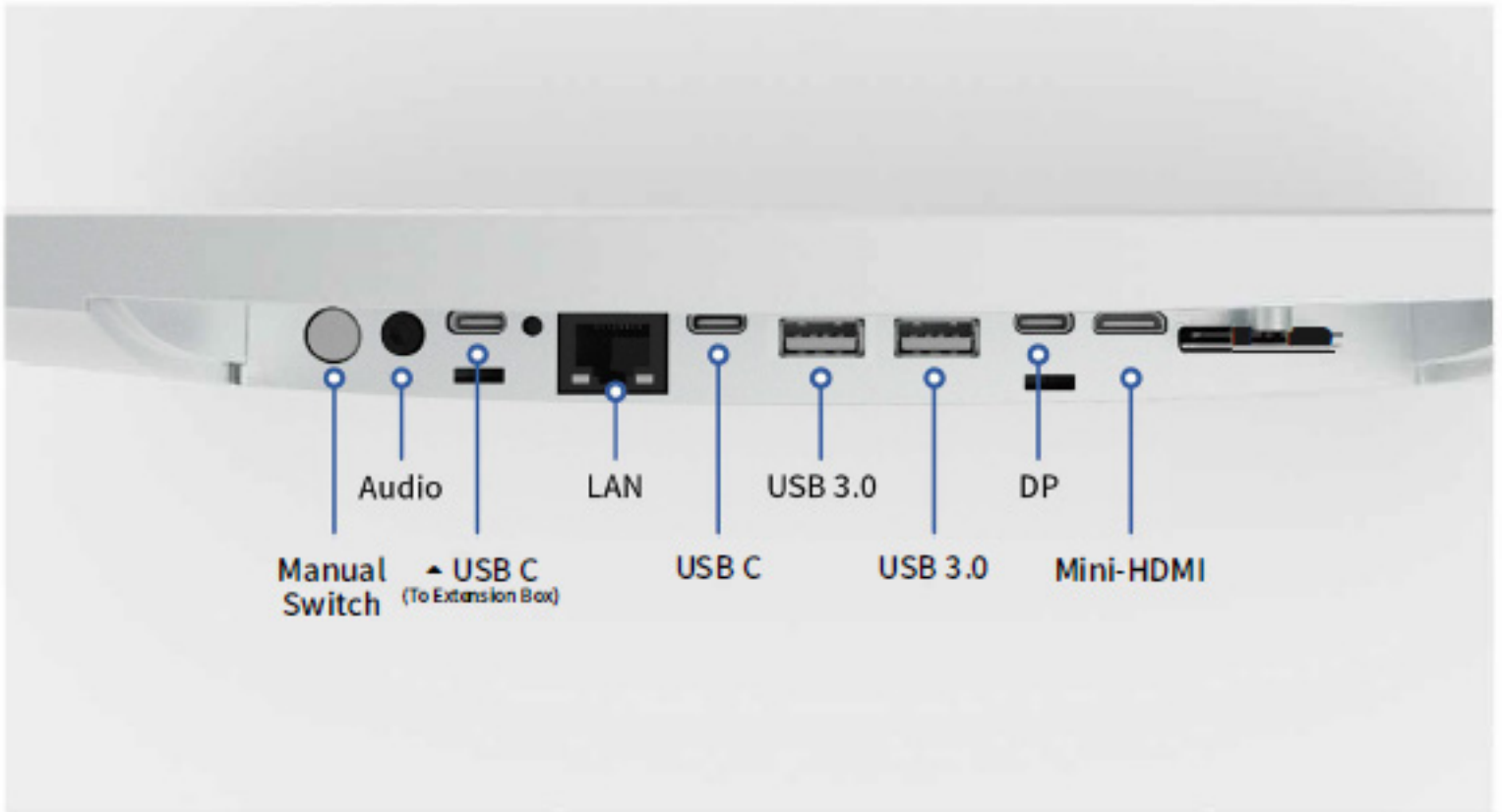
13.3" Rear Display



Fingerprint



Rich I / O Interfaces





Diverse ways for installation



**WALL
MOUNT**

**POLE
MOUNT**



Specification		
Processors	Intel® Celeron® J6412 1.5M Cache, up to 2.60 GHz	Intel® Core™ i3-1115G4 6M Cache, up to 4.10 GHz Intel® Core™ i5-1135G7 8M Cache, up to 4.20 GHz
Chipset	Intel® Elkhart Lake	Intel® Tiger Lake
Memory	8GB Standard, DDR4 3200MHz(Max. 32GB)	8GB Standard, DDR4 3200MHz(Max. 32GB)
Storage	256GB Standard, NVMe M.2 2280 D2-M(Max. 1TB)	256GB Standard, NVMe M.2 2280 D2-M(Max. 1TB)
Operating Systems	Windows 10 IoT Enterprise LTSC/Windows 11 IoT Enterprise/Linux	
Audio	Realtek® HDA Codec	
Display		
Type	15.6" FHD IPS LCD, LED Backlight	
Resolution	1920 x 1080	
Brightness	300 cd/m ² (typ.)	
Touchscreen	10-Points Projected Capacitive Touch	
Interface		
Display	1 x MINI-HDMI: resolution up to 4096 * 2160@24Hz 1 x DP(Non-standard definitions): resolution up to 1920 * 1200@60Hz	
Serial	3 x RS232 RJ50(Extension box)	
USB	1 x USB2.0 (TC-DP) 2 x USB3.0 (TYPE-A) 2 x USB2.0 (TC-USB, Extension box) 1 x 12V PUSB (Extension box) 1 x 24V PUSB (Extension box)	
LAN	1 x Realtek® 1Gbps PCIe Ethernet Controller, RJ45 1 x Realtek® 1Gbps PCIe Ethernet Controller, RJ45(Extension box)	
CashDrawer Port	1 x RJ-11(Extension box)	
Audio	1 * Line-Out/MIC 2in1 Phone Jack	
Power Input	1 x 12V Power Input Connector(USB-C) 1 x 24V Power Input Connector(4Pin DIN Plug, Extension box)	
Expansion Interface	1 x M.2 for WIFI/BT	
Physical & Environmental		
Operating Temperature	0 °C ~ 60 °C at 10% to 90% Humidity	
Storage Temperature	-20 °C ~ 80 °C at 10% to 90% Humidity	
Dimensions (W x H x D)	360 x 300 x 230 (mm), 14.2 x 11.8 x 9 (in)	
Packing Dimensions (W x H x D)	490 x 170 x 285 (mm), 19.3 x 6.7 x 11.2 (in)	
Net Weight	3.8 kgs, 8.4 lbs	
Gross Weight	5.4 kgs, 11.9 lbs	
Certification	CE, FCC, RoHS, UKCA, CB	
Color	Anodizing Silver	
Options & Peripherals		
Customer Display	VFD, 20 Columns x 2 Lines 11.1" (1366 x 768), 13.3" (1920 x 1080) LCD Display, Optional Touchscreen	
Peripherals	Fingerprint reader (USB) Dallas i-button Reader(USB) Magnetic Stripe Reader(USB, Support 1 & 2 & 3 Track)	
Wall Mount/Pole Mount	VESA-Compatible, Support both 75 x 75 (mm) and 100 x 100 (mm)	
Speaker	2 x 2W (Stereo)	
WiFi / BT	802.11ac(Standard), Optional 802.11ax	